

The DPV pump has been designed for domestic applications, to move waste water with solids of a maximum dimension of 25 mm and for the emptying of dirty water collection tanks. It is equipped with Ø 32 rubber holder. Automatic version equipped with float switch.

- **COMPACT AND HANDY**
- **EASY TO CARRY IN CASE OF EMERGENCY**

Applications

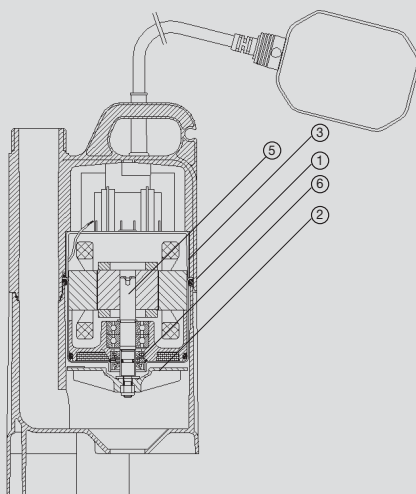
- Drainage of domestic dirty water
- Draining of environments, tanks and wells

Motor

- Single-phase asynchronous motor with capacitor permanently activated and thermal protection built into the motor winding
- Level of protection IP68
- Class F insulation
- Completely insulated cable connection chamber
- Speed of rotation 2850 rpm

Usage limitations

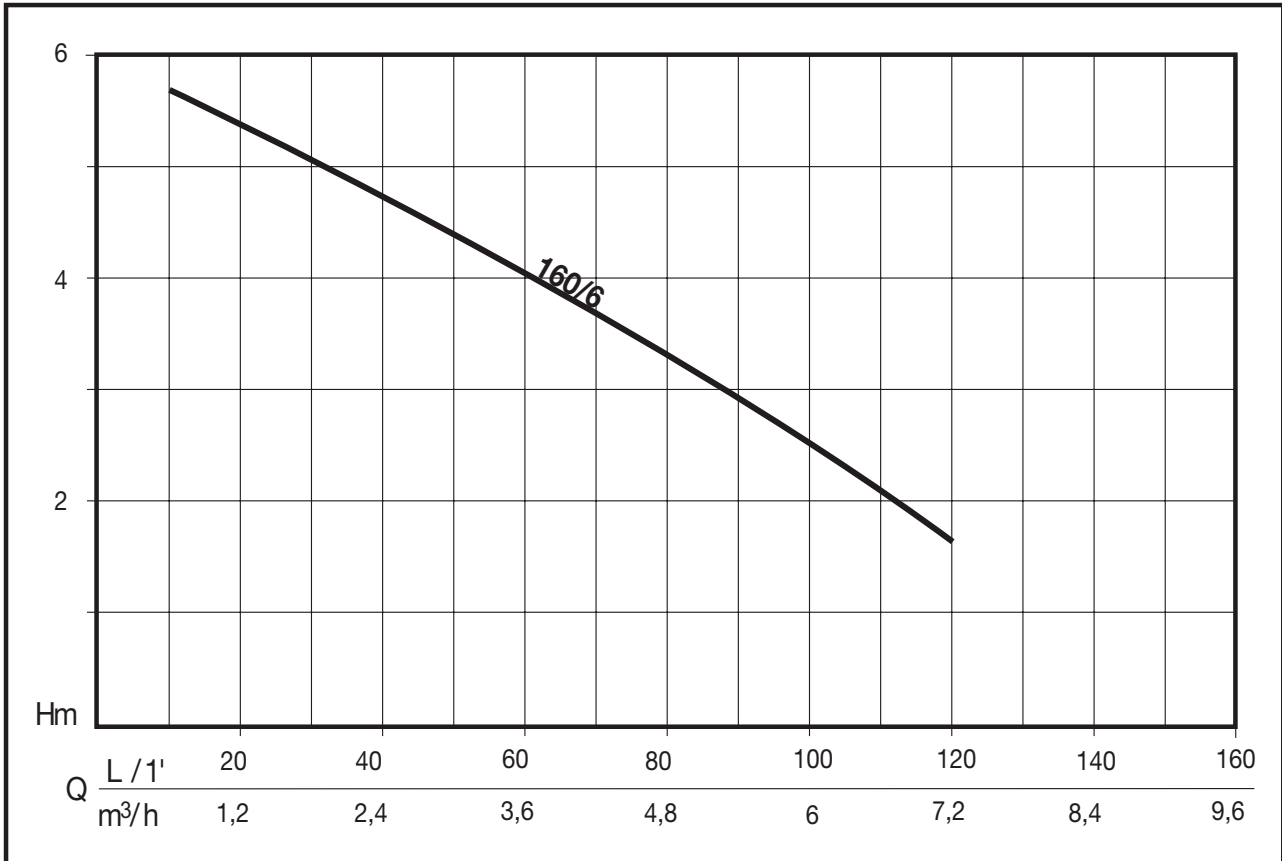
- Type of liquid: dirty water with solids
- Maximum liquid temperature 40°C
- Maximum submersion under the water level 7 m
- Minimum drainage level 35 mm
- Free clearance of solids 25 mm



DESIGN FEATURES

Component	Material
1 Pump casing	Technopolymer
2 Impeller	Technopolymer
3 Motor casing	X 8 CrNi 18-10 (AISI 304) Stainless steel
4 Power cable	10 m H05 RN-F with plug
5 Motor shaft	X 12 CrS 13 (AISI 416) stainless steel with a ceramic facing at the points of seal wear
6 Seal	Fixed double NBR 70 rubber seal. Oil chamber for seal lubrication

TABLE OF HYDRAULIC PERFORMANCE



PUMP PERFORMANCE

CODE	MODEL	Absorbed power		VOLTAGE	Amp.	µF.	Q	0	20	60	80	100
		HP	kW					L/1'	0	1,2	3,6	4,8
N2101120	DPV 160/6	0,56	0,41	1 ~ 230 V	1,9	10	Discharge head in meters	6,5	5,4	4,2	3,3	2,4
N2101110	DPV 160/6 AUT*							0	1,2	3,6	4,8	6

* Automatic version equipped with float switch

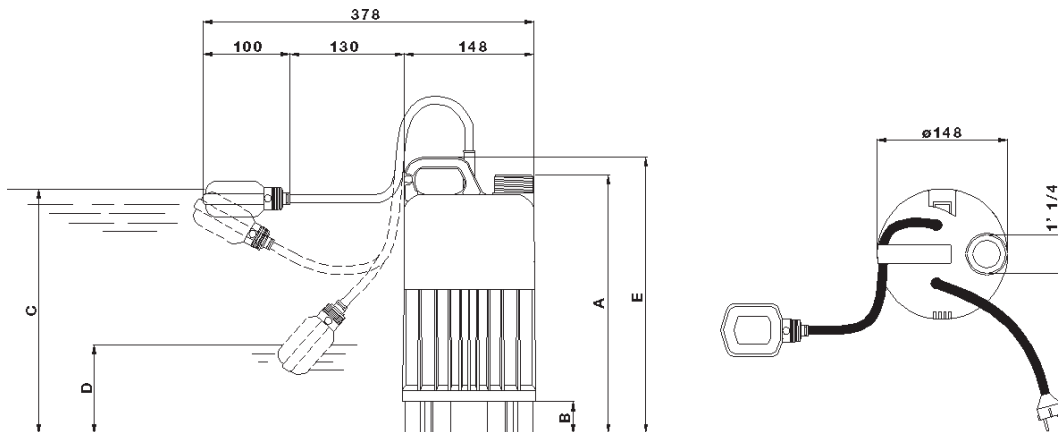


TABLE OF SIZES AND WEIGHTS

Model	Dimensions mm.					Weight
	A	B	C	D	E	kg
DPV 160/6 AUT	284	35	330	150	304	4,2

* Start and stop level refers to the version equipped with floating switch
The minimum drainage level refers to the manual version