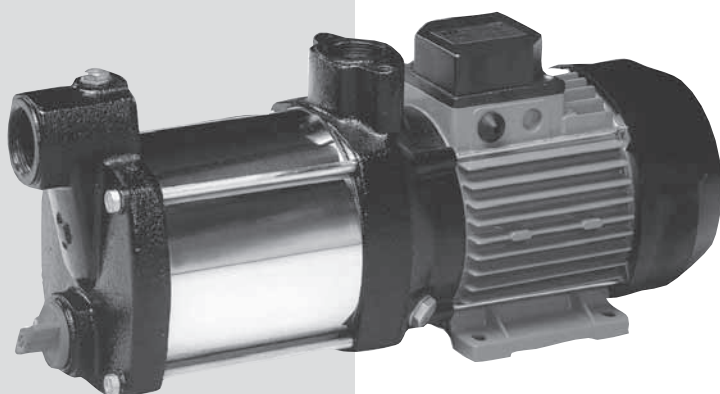


MULTINOX-A

SELF-PRIMING MULTISTAGE CENTRIFUGAL PUMPS

The horizontal multistage centrifugal self-priming MULTINOX-A pumps are suitable for developing a considerable pressure and flow rate with extremely silent operation and with minimum electrical energy consumption.

- **STRONG AND RESISTANT**
- **SELF PRIMING**
- **HIGH SUCTION CAPABILITY**
- **SPECIAL PATENTED BRASS VALVE FOR CLOSURE DURING THE PRIMING STAGE**



Applications

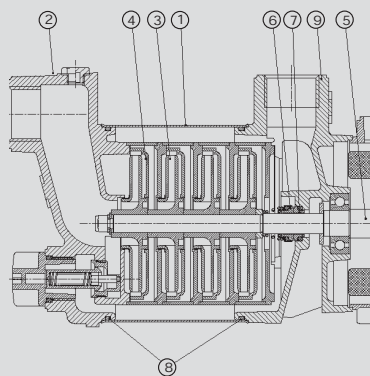
- Pumping and distribution of water in domestic systems used on a continuous or intermittent basis
- Booster systems
- Washing systems, garden irrigation, fountains

Usage limitations

- Type of liquid: clean water with no suspended solids or abrasive material
- Maximum liquid temperature 50°C
- Maximum recommended suction height 8 m with foot valve
- Maximum operating pressure 9 bar

Motor

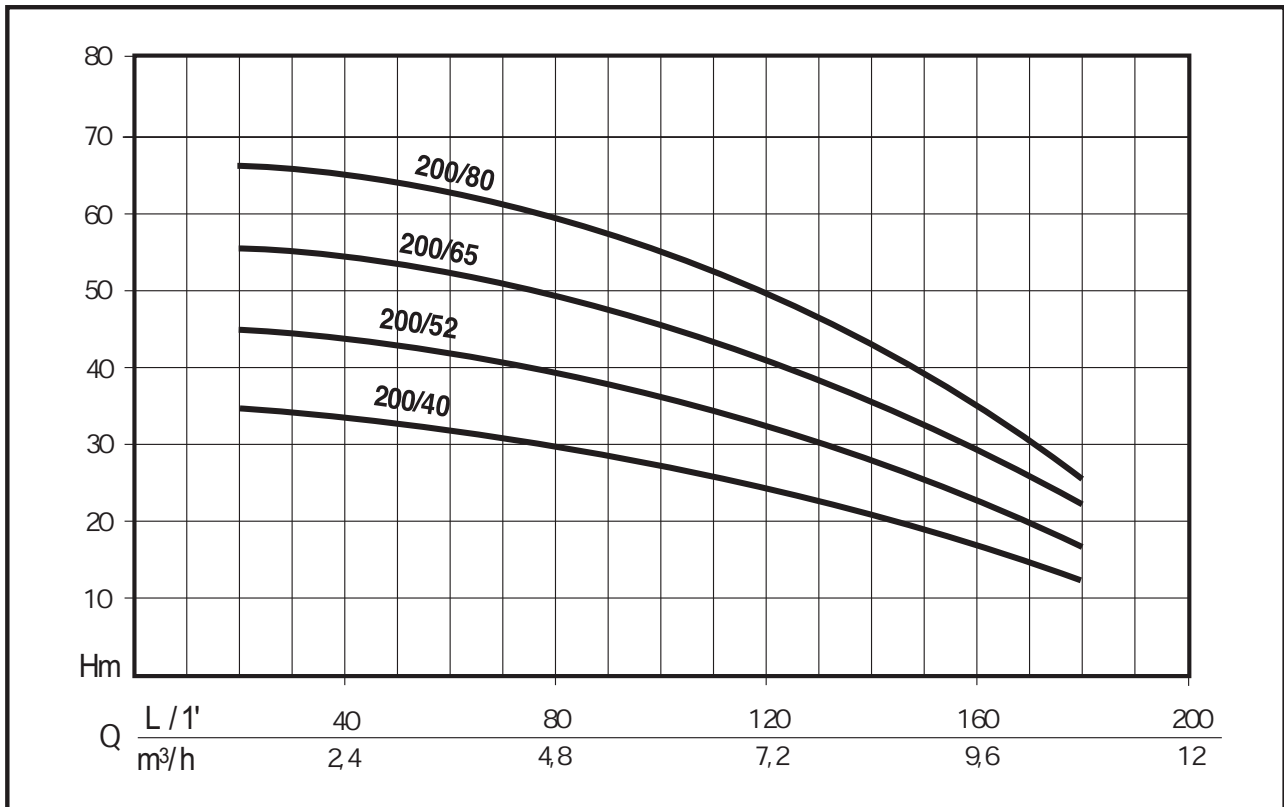
- Enclosed, externally ventilated
- Level of protection IP 44
- Class F insulation
- Single phase power supply with capacitor permanently activated and thermal protection built into the motor winding
- Three phase power supply with external protection provided by the user
- Speed of rotation 2850 rpm
- Suitable for continuous use



DESIGN FEATURES

Component	Material
1 Outer liner (pump body)	X5 CrNi 1810 (AISI 304) Stainless steel
2 Suction flange	EN GJL 200 (ex G 20) Cast iron
3 Impeller	Technopolymer with AISI 304 stainless steel shim ring
4 Diffusor	Technopolymer
5 Shaft (hydraulic end)	X5 CrNi 1810 (AISI 304) Stainless steel
6 Mechanical seal	Graphite
7 Counterface	Ceramic
8 O' ring	NBR 70 shore
9 Discharge flange Motor bracket	EN GJL 200 (ex G 20) Cast iron

TABLE OF HYDRAULIC PERFORMANCE



PUMP PERFORMANCE

CODE	MODELE	Puissance Nom.		Puissance Abs.		TENSION	Amp.	µF.	Q	L/1'									
		HP	kW	HP	kW					20	60	100	140	180					
										m³/h	1,2	3,6	6	8,4	10,8				
N418A010-B	MULTINOX-A 200/40M	1,5	1,1	2	1,5	1 ~ 220÷240V	6	20	Hauteur manométrique en m CE	33,7	32,1	27,6	21,5	13,1					
N418A020-B	MULTINOX-A 200/40T					3 ~ 230÷400V	3,6-2,1												
N418A030-B	MULTINOX-A 200/52M	1,8	1,3	2,5	1,8	1 ~ 220÷240V	8	25		44,9	42,8	36,8	28,6	17,5					
N418A040-B	MULTINOX-A 200/52T					3 ~ 230÷400V	5-2,9												
N418A080-B	MULTINOX-A 200/52C*					1 ~ 220÷240V	8												
N418A070	MULTINOX-A 200/65M	1,9	1,4	2,7	2	1 ~ 220÷240V	9,3	35		56,1	53,4	46,0	35,8	21,8					
N418A050-B	MULTINOX-A 200/65T					3 ~ 230÷400V	6-3,5												
N418A060-B	MULTINOX-A 200/80T	2,5	1,8	3,5	2,3	3 ~ 230÷400V	8-4,6								67,3	64,1	55,2	42,9	26,2

*Supplied with switch, schuko plug and power supply cable

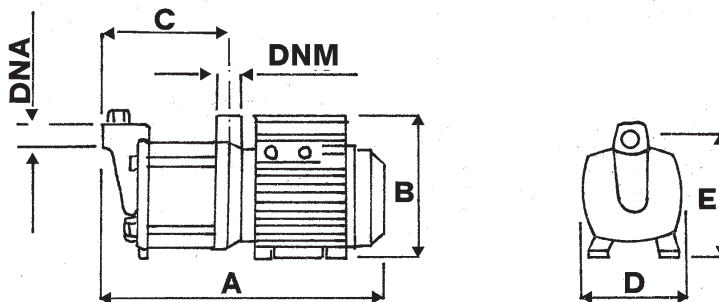


TABLE OF SIZES AND WEIGHTS

Model	Dimensions mm.							Weight kg
	A	B	C	D	E	DNA	DNM	
MULTINOX 200/40	441	200	188	155	170	1" 1/4	1" 1/4	19
MULTINOX 200/52	469	200	215	155	170	1" 1/4	1" 1/4	21
MULTINOX 200/65	497	200	243	155	170	1" 1/4	1" 1/4	23
MULTINOX 200/80	525	200	270	155	170	1" 1/4	1" 1/4	25