

MULTINOX VE

MULTISTAGE CENTRIFUGAL PUMPS

The Multinox-VE vertical multistage centrifugal pumps are especially suitable for the manufacture of pumping assemblies, above all in cases where a high level of efficiency and silence is required with reduced overall floor dimensions.

- **HIGH HYDRAULIC EFFICIENCY**
- **STRONG AND RESISTANT**

Applications

- Pumping and distribution of water in domestic systems used on a continuous or intermittent basis
- Booster systems
- Washing systems, garden irrigation, fountains.
- Firefighting systems

Motor

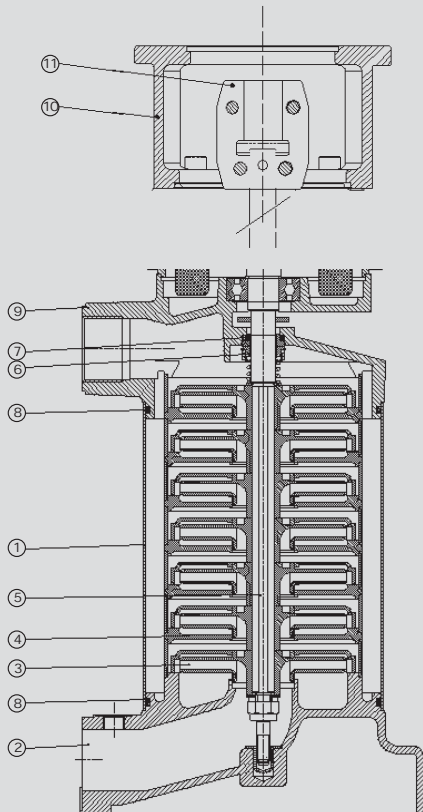
- Enclosed, externally ventilated
- Level of protection IP 44.
- Class F insulation.
- Single phase power supply with capacitor. Permanently activated and thermal protection built into the motor winding.
- Three phase power supply with external protection provided by the user.
- Speed of rotation 2850 rpm.
- Suitable for continuous use.

Usage limitations

- Type of liquid: clean water with no suspended solids or abrasive material
- Maximum liquid temperature 50°C
- Maximum recommended suction height 6 m with foot valve
- Maximum operating pressure: 9 bar
12 bar (MULTINOX VE 200/110)



MULTINOX 200/110T

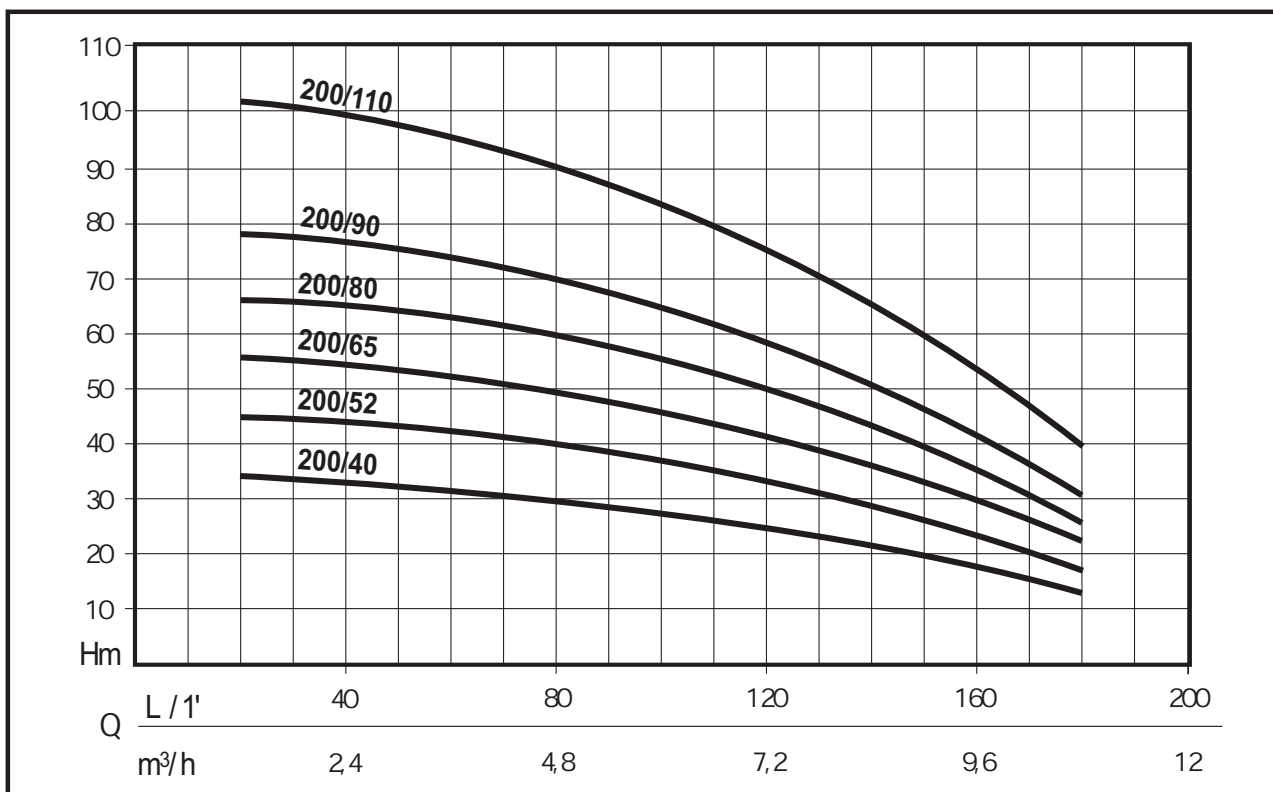


DESIGN FEATURES

Component	Material
1 Outer liner (pump body)	X5 CrNi 1810 (Aisi 304) Stainless steel
2 Suction flange	EN GJL 200 (ex G 20) Cast iron
3 Impeller	Technopolymer with AISI 304 stainless steel shim ring
4 Diffuser	Technopolymer
5 Shaft (hydraulic end)	X5 CrNi 1810 (Aisi 304) Stainless steel
6 Mechanical seal	Graphite
7 Counterface	Ceramic
8 O' ring	NBR 70 shore
9 Discharge flange Motor bracket	EN GJL 200 (ex G 20) Cast iron
10 Adapter	EN GJL 200 (ex G 20) Grey cast iron on model 200/110
11 Motor joint	EN GJS 400 (ex GS400) Nodular cast iron on model 200/110



TABLE OF HYDRAULIC PERFORMANCE



PUMP PERFORMANCE

CODE	MODEL	Nominal Power		Absorbed Power		VOLTAGE	Amp.	µF.	Q	L/1'	20	60	100	140	180
		HP	kW	HP	kW						m³/h	1,2	3,6	6	8,4
N 4194010-B	MULTINOX-VE 200/40 M	1,5	1,1	2	1,5	1 ~ 220÷240 V	7	20	Discharge head in meters	Q	33,7	32,1	27,6	21,5	13,1
N 4194020-B	MULTINOX-VE 200/40 T					3 ~ 230÷400 V									
N 4194030-B	MULTINOX-VE 200/52 M	1,8	1,3	2,5	1,8	1 ~ 220÷240 V	8,5	25			44,9	42,8	36,8	28,6	17,5
N 4194040-B	MULTINOX-VE 200/52 T					3 ~ 230÷400 V									
N 4194080-B	MULTINOX-VE 200/65 M	1,9	1,4	2,7	2	1 ~ 220÷240 V	9,3	35			56,1	53,4	46	35,8	21,8
N 4194050-B	MULTINOX-VE 200/65 T					3 ~ 230÷400 V									
N 4194060-B	MULTINOX-VE 200/80 T	2,5	1,8	3,5	2,6	3 ~ 230÷400 V	8-4,6				67,3	64,1	55,2	42,9	26,2
N 4194070-B	MULTINOX-VE 200/90 T	2,6	1,9	3,7	2,7	3 ~ 230÷400 V	9-5,2				78,6	74,8	64,4	50,1	30,6
N 4194090	MULTINOX-VE 200/110 T	3,5	2,6	4,4	3,2	3 ~ 230÷400 V	10-5,6				101	96,2	82,8	64,4	39,3

TABLE OF SIZES AND WEIGHTS

Model	Dimensions mm.							Net Weight kg
	A	B	C	D	E	DNA	DNM	
MULTINOX-VE 200/40	438	115	37	143	204	1" 1/4	1" 1/4	19
MULTINOX-VE 200/52	466	115	37	174	204	1" 1/4	1" 1/4	21
MULTINOX-VE 200/65	504	115	37	203	204	1" 1/4	1" 1/4	23
MULTINOX-VE 200/80	525	115	37	230	204	1" 1/4	1" 1/4	25
MULTINOX-VE 200/90	555	115	37	257	204	1" 1/4	1" 1/4	27
MULTINOX-VE 200/110	760	115	37	320	204	1" 1/4	1" 1/4	36

