



**Orange**  
PUMPS

**2009**

**TRADE CATALOGUE**

<b>HOME SYSTEMS</b>	<b>2</b>	<b>CENTRIFUGAL PUMPS</b>	<b>42</b>
Systems, pressure switch and controller	2	<b>ENGINE DRIVE</b>	<b>48</b>
Pumps shallow and deep	10	<b>PRESSURE TANKS</b>	<b>50</b>
<b>COMMERCIAL SYSTEMS</b>		<b>SPRING TANKS</b>	<b>52</b>
Centrifugal	14	<b>PUMP CONTROLLERS</b>	<b>54</b>
Shallow well jet	16	<b>PUMP'N'BITS</b>	<b>58</b>
Deep Well jet	20	Water pressure kits	58
<b>SUBMERSIBLE BORE HOLE</b>	<b>24</b>	<b>MARKETING</b>	<b>62</b>
<b>SUBMERSIBLE SUMP PUMPS</b>	<b>29</b>	Inquiry sheet	63
Sumps and grey water	36	<b>ENGINEERING TABLES</b>	<b>64</b>
Pricing & performance	39		
<b>WATER SAVING</b>			
Rainmax, tank top up	40		

# Centrifugal Pumps *cast iron*



Model CP100



Model CP200 /400



Model CP600 /700 and CP710/800

## Features

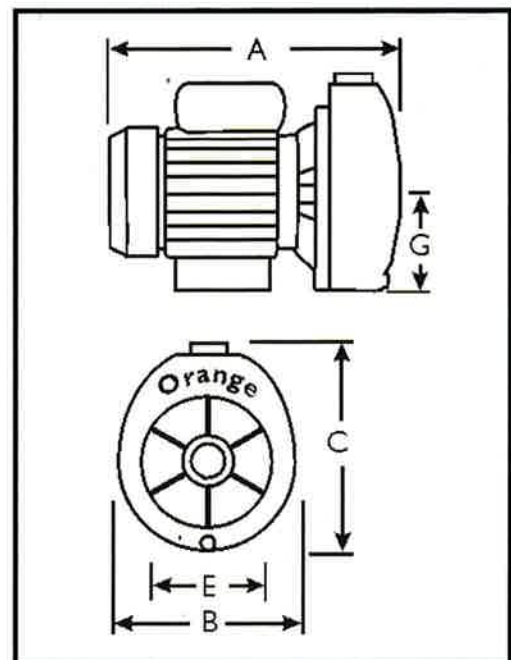
- Easy prime
- Quiet operation
- Saves Power
- High performance
- Low maintenance
- TEFC IP55 electric motor enclosure
- Stainless steel pump shaft
- Full heavy duty cast iron construction

## Applications

- Hose Down
- Farm
- Garden
- Septic Tank
- Tank Filling
- Industrial

## Dimensions • Weights

Model	Dimensions in mm					Packing cms and weight			
	A	B	C	E	G	L	W	H	KG
CP100	320	145	180			35	17	20	6
CP200	310	165	200	100	80	34	19	23	14
CP400	320	183	215	124	90	34	19	23	18
CP600	460	230	240	See Cj		52	29	30	39
CP700	460	230	240	pumps		52	29	30	42
CP800	460	230	240	on page 14		52	29	30	48



## Domestic use

CP100 - CP200 - CP400

### Great pumps

Designed for high pressure and good efficiency, they are easy to prime, the motor is protected by a thermal overload and the pump is quiet.

Impellers are made from industrial grade mouldings for low noise and good efficiency. The pump uses a ceramic carbon stainless steel shaft seal, with an additional lip seal to protect the motor. The motor has a stainless steel shaft and thermal overload.

The CP100, CP200 & CP400 pumps and motors are cast iron for long bearing life and quiet operation. [ CP100 pump is moulded ]

## Farm and Commercial use

CP600 CP700 CP710 CP800

Orange pumps can be used for house, farm, garden and industry, for filling overhead tanks, hose down, empty sumps, run fountains, etc.

### Now with nylon impellers

The standard CP200 pump has a nylon impeller which makes the pump suitable for pumping hot water to 100 deg C, oil based fluids, and other chemicals. For more durable life expectancy the seal can be changed to Viton.

## Pump performance

Model	Watts	Voltage	Max pressure kPa	Discharge head in metres [ For kPa x 10 ]							Suction pipe mm [inch]	Discharge pipe mm [inch]		
				0	5	10	15	20	25	30			35	40
				Capacity in litres per minute										
CP100	400	230	160	57	55	45	10					25 [1]	25 [1]	
CP200	550	230	230	125	110	100	80	45				25 [1]	25 [1]	
CP400	1000	230	305			125	115	100	50	15		25 [1]	25 [1]	
CP600	1100	230	250			290	240	170				50 [2]	40 [1.5]	
CP700	1500	230/415	310			360	320	280	210	100		50 [2]	40 [1.5]	
CP710	1500	230/415	420			160	150	140	130	110	85	43	50 [2]	25 [1]
CP800	2400	230/415/460	380			400	390	325	300	230	140		50 [2]	40 [1.5]

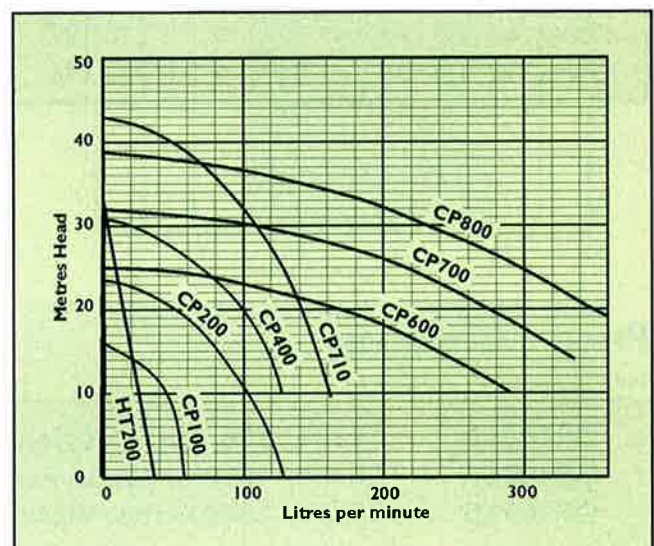
230 and 460 volts are single phase, 415 volts is 3 phase. Performances are at sea level and 20°C.

## Price • Ordering

Same price for all voltages

Model	Watts	Price
CP100	400	\$180
CP200 High temp nylon impeller	550	\$290
CP400	1000	\$420
CP600	1100	\$550
CP700	1500	\$720
CP710 High pressure	1500	\$780
CP800	2400	\$920

## Performance



# Centrifugal Pumps *stainless*

## Advantages of stainless steel

Made to pump corrosive fluids, salt water, chemicals, for use in hydroponics or where pure water is important.

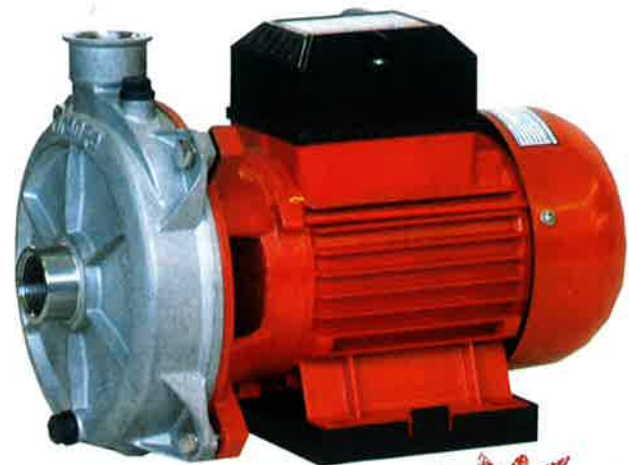
The pump uses a cast stainless steel casing to improve corrosion resistance and reduce noise. It is at least 2.5 mm thick.

CP200SN pump is 100% uses a high temperature Nylon impeller, has a Viton seal and is constructed 100% in 304 stainless steel.

CP400SL pump uses Polycarbonate impeller has a Viton seal and constructed 100% in **304** stainless steel..

CP400SS pump is 100% in **316** stainless steel with a viton seal and has an open impeller for better muck handling ability.

Ideal for use in sea water applications where 316 can be used.



Model  
CP400SL/SS



## Pump performance

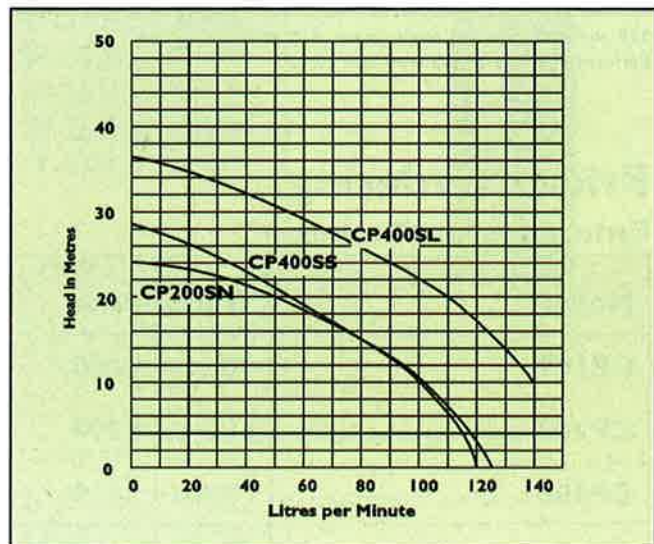
Model	Watts	Voltage kPa	Max pressure	Discharge head in metres [ For kPa x 10 ]							Suction pipe mm [inch]	Discharge pipe mm [inch]		
				0	5	10	15	20	25	30			35	40
				Capacity in litres per minute										
CP200SN	550	230	230	125	110	100	80	45			25[1]	25[1]		
CP400SL	1000	230	305			125	115	100	50	15	25[1]	25[1]		
CP400SS	1000	230	280	120	110	100	80	55			25 [1]	25 [1]		

Performances are at sea level and 20°C.

## Dimensions • Weights

Model	Dimensions in mm					Packing cms and weight			
	A	B	C	E	G	L	W	H	KG
CP200	310	165	200	100	80	34	19	23	14
CP400	320	183	215	124	90	34	19	23	18
CP600	460	230	240	See CP pumps on page 38		52	29	30	39
CP700	460	230	240		52	29	30	42	
CP800	460	230	240		52	29	30	48	

## Performance



## Price • Ordering

Same price for all voltages

<b>CP200SN</b>	<b>SS304, 550 watts, Nylon Impeller</b>	<b>\$470</b>
<b>CP400SL</b>	<b>SS304, 1000 watts, Lexan Impeller</b>	<b>\$570</b>
<b>CP400SS</b>	<b>SS316, 1000 watts, Viton seal, stainless steel open impeller</b>	<b>\$670</b>

## Pump features

The Orange Turbine Pump is suitable for pumping clear water from ground level or underground tanks.

It is used where high pressure and low capacity is required with good pumping efficiency. Ideal for small automatic water pressure system to pressurise water at the tap or tank filling.

Pumps are designed not to air lock and make priming easy.

### HT210 — Self priming

For that difficult job that has a deep suction or unconventional suction pipes. Also gives added reliability and increased capacity.

### Operating temperature

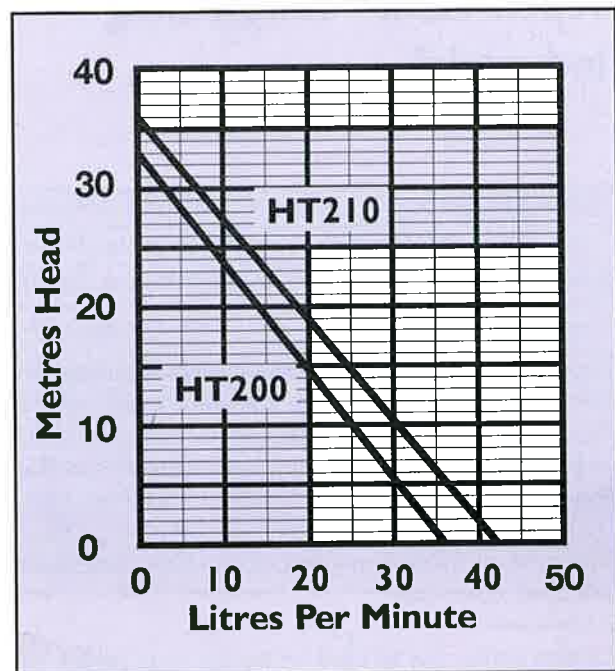
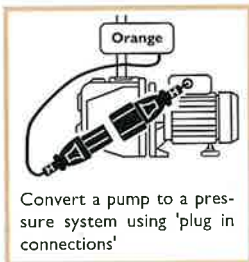
The pump is all metal in construction and will pump hot water to 80°C with the seal supplied, replacement Viton seals will operate to 120°C.



Model HT210



Model HT200



## Pump performance

Model	Watts	Delivery head in Metres [For kPa x 10]						Pressure systems		Pipe size Suction & Discharge mm [ inch ]
		5	10	15	20	25	30	Pressure switch kPa	Operating pressure kPa	
HT200	400	35	25	20	14	9	4	100-200	100	25 [ 1 ]
HT210	450	42	30	26	19	13	7	100-200	100	25 [ 1 ]

Performances are at sea level and 20°C. Figures with white background are normally used. HT211 is not available in Australia.