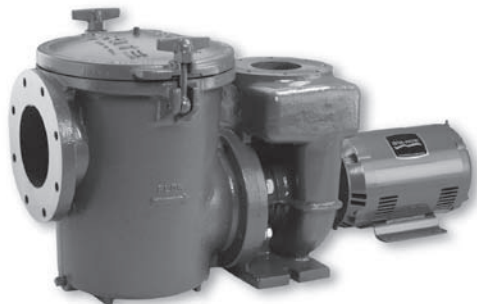


# 5CSP/5CCSP Series™ Commercial Pump

## Commercial Self-Priming Pump



5CSP/5CCSP Series™ Commercial Self-Priming Pump

Especially designed for commercial and public swimming pools and spas, aquatic facilities, water parks and fountain applications where high performance and self-priming are required. Pump has enclosed bronze impeller and standard 6" x 4" A.N.S.I. flange connections. The pump strainer (order separately) has capacity of 1,100 cubic inches. Both pump and strainer can be ordered with optional epoxy coated castings to provide additional performance and corrosion resistance. NOTE: 50 hertz pumps cannot be used in North America.

### Ordering Information

Product	Voltage	Amps <sup>1</sup>	HP	SF	SFHP	Primary Listings and Certifications <sup>3</sup>	Port Size (ANSI Flange)	Carton Wt (Lbs)	Curve Key
<b>SINGLE PHASE CAST IRON WITHOUT STRAINER- 50 HZ</b>									
5CSPHJ-142	220-240	35.5-32.5	5	1.00	5		6" x 4"	270	A
5CSPHK-143	220-240	43.0-39.4	7-1/2	1.00	7-1/2		6" x 4"	280	B
<b>THREE PHASE CAST IRON WITHOUT STRAINER- 50 HZ</b>									
5CSPHJ3-142	220-240/380-415	13.0/6.9	5	1.00	5		6" x 4"	260	A
5CSPHK3-143	220-240/380-415	20.7-21.5/12.0/12.4	7-1/2	1.00	7-1/2		6" x 4"	270	B
5CSPHL3-144	220-240/380-415	27.0-27.5/15.6-15.9	10	1.00	10		6" x 4"	280	C
5CSPHM3-145	220-240/380-415	38.9-20.6	15	1.00	15		6" x 4"	300	D
<b>THREE PHASE EPOXY COATED CAST IRON WITHOUT STRAINER- 50 HZ</b>									
5CCSPHJ3-142	220-240/380-415	13.0/6.9	5	1.00	5		6" x 4"	260	A
5CCSPHK3-143	220-240/380-415	20.7-11.0	7-1/2	1.00	7-1/2		6" x 4"	270	B
5CCSPHL3-144	220-240/380-415	26.9-14.3	10	1.00	10		6" x 4"	280	C
5CCSPHM3-145	220-240/380-415	38.9-20.6	15	1.00	15		6" x 4"	300	D
<b>ACCESSORIES FOR 5CSP/ 5CCSP SERIES</b>									
PKG 184	Strainer for CSP/CCSP 6" ANSI flange (1,100 cu. In. capacity)					NSF <sup>4</sup>	6" X 6"	180	I
PKG 184C	Same as PKG 184 Except Strainer is Epoxy Coated					NSF <sup>4</sup>	6" X 6"	180	I
357262	Flange 4 in. w/gasket and SS hardware <sup>2</sup>							20	
357263	Flange 6 in. w/gasket and SS hardware <sup>2</sup>							23	

<sup>1</sup> Amp draw may vary depending on motor manufacturer. Full load amps on motor model plate.

<sup>2</sup> Thermoplastic PVC socket style.

<sup>3</sup> Product may have been evaluated to other state and local regulatory standards. Listing status may change. Always confirm status with appropriate agency if in doubt.

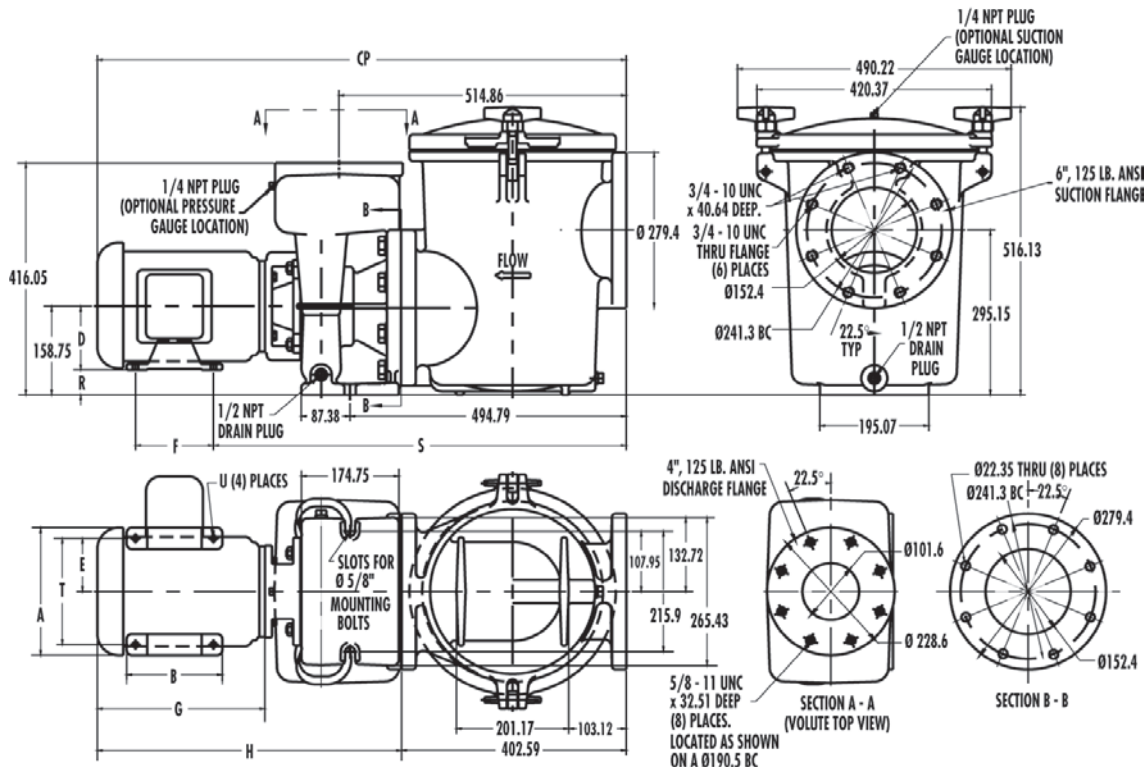
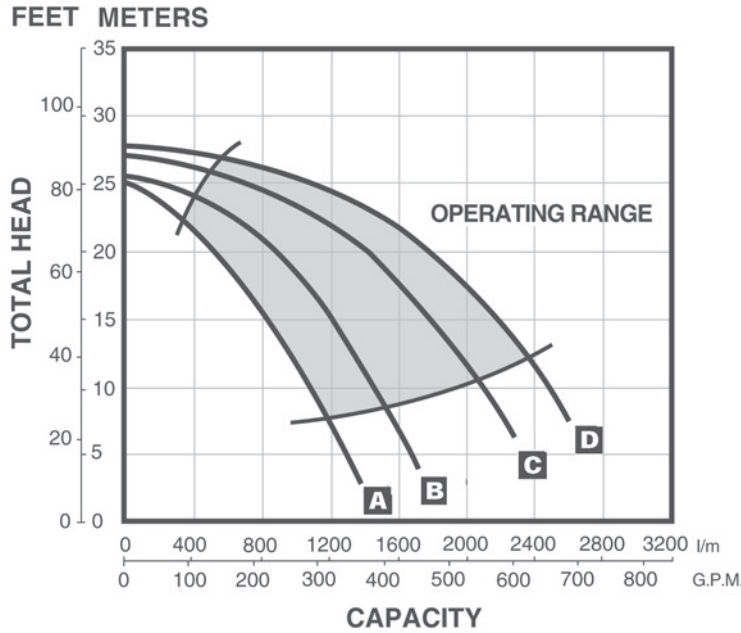
<sup>4</sup> 'NSF(2)' indicates that product bears a NSF mark signifying evaluation to NSF Standard 50 For Materials and Components.

NOTE For Strainer Packages, See page 212.

# 5CSP/5CCSP Series™ Commercial Pump (Cont'd)

## Commercial Self-Priming Pump

### Dimensions and Performance



Catalog Number	A	B	CP	D	E	F	R	S	T
5CSPHJ	269.75	177.8	1039.62	133.25	107.95	139.7	25.4	733.3	215.9
5CSPHK	269.75	215.9	1075.69	133.25	107.95	177.8	25.4	733.3	215.9
5CSPHJ3	228.6	171.45	988.82	133.25	95.25	139.7	44.45	734.06	190.5
5CSPHK3	269.75	177.8	1039.62	133.25	107.95	139.7	25.4	733.3	215.9
5CSPHL3	269.75	215.9	1075.69	133.25	107.95	177.8	25.4	733.3	215.9
5CSPHM3	317.5	274.32	1185.67	158.75	127.0	209.55	-	793.75	254.0

All dimensions shown in millimeters.