

SunStar® Underwater Lights

Halogen Lights for Aboveground Pools

Featured Highlights

- Typical Installation – Designed for use in storable aboveground pools
- Low Voltage, 50 Watt Halogen Light
- Includes Color-Pak™ – With five colored filters
- UL and CSA Listed – For fresh water



SunStar - Halogen

Ordering Information



Product	Description	Carton Qty	Carton Wt (Lbs)
SUN-STAR UNDERWATER LIGHTS			
05103-0925	SunStar Light - 25 ft. cord	1	10.0
ACCESSORIES FOR LIGHTS			
05103-0050	100W Transformer RH Wiring	1	10
05103-0051	300W Transformer RH Wiring	1	11
POPOVER LENS KITS			
34627-6008	Blue – Small Popover Lens	1	.5
34627-6009	Red – Small Popover Lens	1	.5
05601-0111	Red/Blue – Small Popover Lens Kit	1	.5
05601-0110	Red/Blue – Large Popover Lens Kit	1	.5
34627-6005	Blue – Large Popover Lens (Sta-Rite Models)	1	.5
34627-6007	Red – Large Popover Lens (Sta-Rite Models)	1	.5

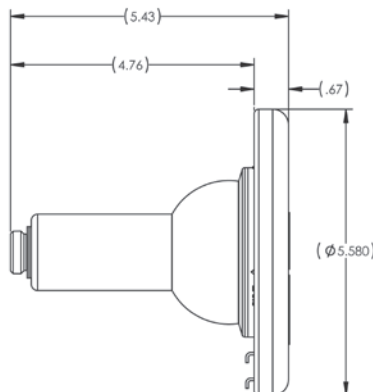
See page 466 for replacement parts.

SunLite® Brass LTC Lights

Ordering Information



SunLite - Brass LTC
Stainless Steel
Quartz Halogen



Product	Voltage	Wattage	Cord Length (Ft.)	Carton Wt (Lbs)
SUNLITE - BRASS LTC STAINLESS STEEL QUARTZ HALOGEN				
05603-2030	12	75	30	5.3
05603-2050	12	75	50	6.5
05603-2100	12	75	100	9.5
05605-2030	120	100	30	5.3
05605-2050	120	100	50	6.51
05605-2100	120	100	100	9.5
05607-2030	120	250	30	5.3
05607-2050	120	250	50	6.5
05607-2100	120	250	100	9.5
NICHES AND ACCESSORIES				
05167-1035	Gunitite Niche			1
05167-1036	Vinyl Niche with SS Trim Ring			1
05167-1037	Vinyl Niche with ABS Trim Ring			1
05601-0111	Snap-on Color Lens Kit, Plastic (Blue, Red)			1

NOTE: Sta-Rite does not recommend installing 12V lights with cord lengths greater than 50'. A significant voltage drop occurs which dramatically reduces the light output.

NOTE: Each pool or spa light should be installed with its own ground fault circuit interrupter (GFCI).

NOTE: UL has listed Sta-Rite lights for use with Pentair niches. To ensure proper grounding/bonding connections, install Sta-Rite lights only in Pentair niches.

NOTE: Cord lengths over 100 ft. are for light replacement only. Use of long cord lengths is not recommended for new installations.

NOTE: CSA does not approve plastic niches. 1/2" niches will not work in Canada.

See page 466 for replacement parts.